



Data sheet - ACP 40, Standard

ACP 40, Standard, single phase,
manual gas ballast

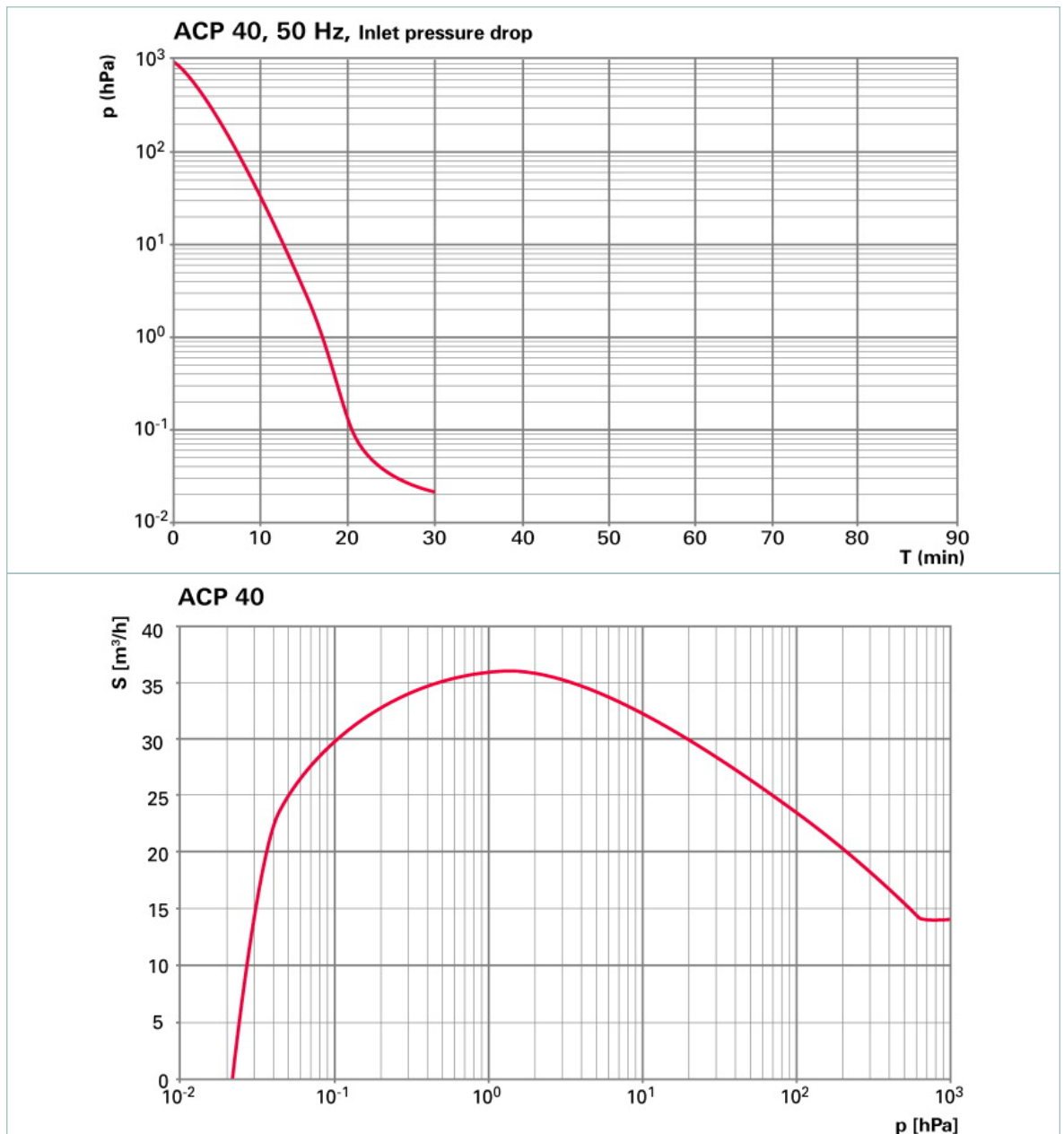
ACP 40, Standard, single phase, manual gas ballast

ACP 40,
Standard



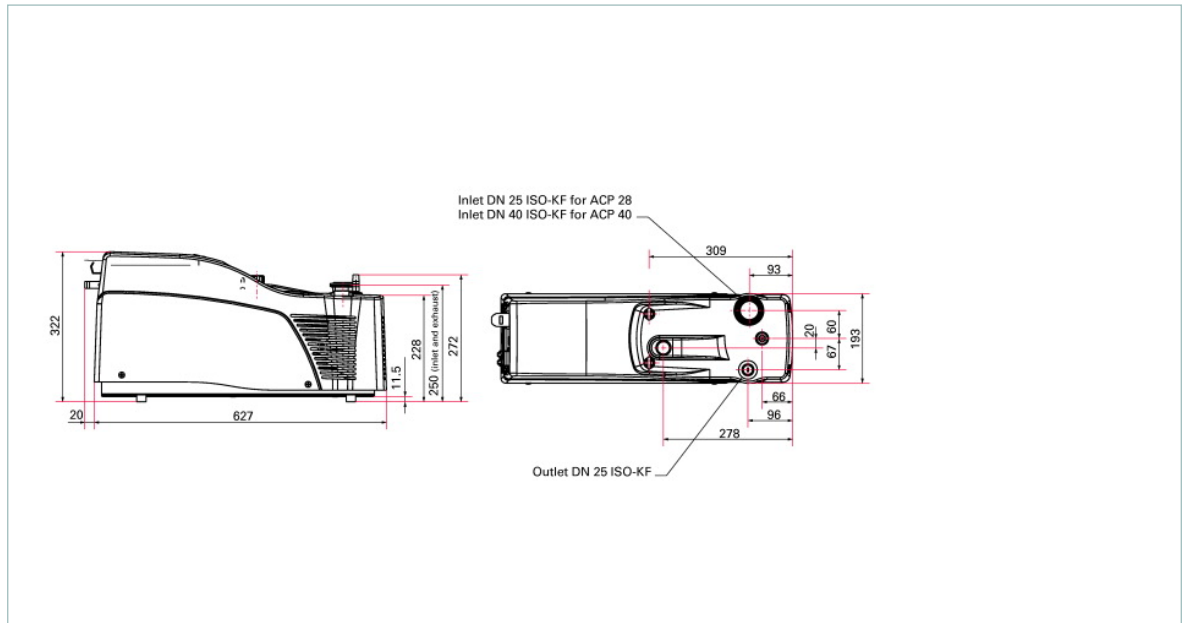
[Similar Image](#)

Characteristics



ACP 40, Standard, single phase, manual gas ballast

Dimensions



Technical Data

ACP 40, Standard, single phase, manual gas ballast

Continuous inlet pressure, max.	1013 hPa
Cooling	Air
Dimensions (L x W x H)	647 x 193 x 322 mm
Flange (in)	DN 40 ISO-KF
Flange (out)	DN 25 ISO-KF
Helium leak rate, max.	$5 \cdot 10^{-8}$ Pa m ³ /s
Mains requirement: voltage	100-230 V \pm 10 %, 50/60 Hz
Power consumption at ultimate pressure	700 W
Processes	Light Duty Applications
Pumping speed, max.	37 m ³ /h
Typical ultimate pressure	0.03 hPa
Typical ultimate pressure with gas ballast	0.1 hPa
Version	Standard
Water vapor capacity, max.	120 g/h
Weight	32 kg

Order number

V8SACSFEMF

ACP 40, Standard, single phase, manual gas ballast

Accessories

External silencer ES 25 S, DN 25	109873
Inlet particle filter IPF 40, DN 40	111647
NRC 28/40, for ACP 28 and ACP 40 pumps	112637
Sound enclosure kit SEK 28/40, for ACP 28 and ACP 40 pumps	114379

**Vacuum solutions
from a single source**

Pfeiffer Vacuum stands for innovative and custom vacuum solutions worldwide, technological perfection, competent advice and reliable service.

**Complete range
of products**

From a single component to complex systems:
We are the only supplier of vacuum technology
that provides a complete product portfolio.

**Competence in
theory and practice**

Benefit from our know-how and our portfolio of training
opportunities! We support you with your plant layout
and provide first-class on-site service worldwide.

**Are you looking for a
perfect vacuum solution?
Please contact us:**

Pfeiffer Vacuum GmbH
Headquarters · Germany
T +49 6441 802-0
info@pfeiffer-vacuum.de
www.pfeiffer-vacuum.com